



2 or 3 Jaw Power Chucks Non Thru Hole Wedge Type

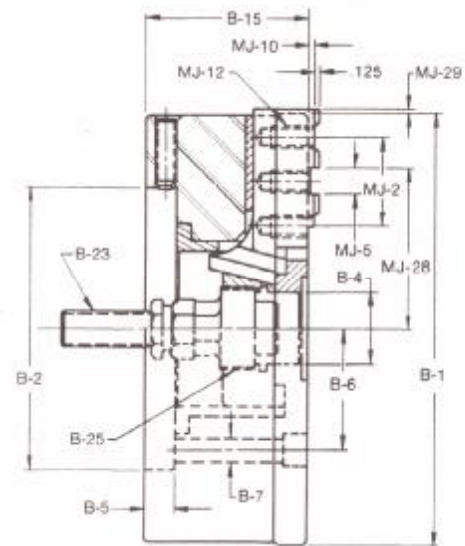
MADE IN USA



- Steel Body
- Manufactured in USA
- 6" to 24" diameters
- 0.001 Repeatability is guaranteed on duplicate parts
- Wide selection of Master Jaw configurations
- Superior gripping
- Mounting Plate required
- Available with Tongue & Groove, Square Serrated, 1/16 x 90 degree and 1.5 x 60 degree

Principal Dimensions

B-1 (Dia)	B-2	B-4	B-5	B-6	B-7	B-15	Jaw Travel
6.50	4.780	1.000	0.625	2.063	0.469	3.250	0.250
8.25	6.155	1.500	0.656	2.625	0.531	3.859	0.312
10.00	7.905	2.000	0.875	3.375	0.688	4.469	0.375
12.00	7.905	2.000	0.875	3.375	0.688	4.469	0.375
15.00	11.779	3.187	0.938	4.625	0.781	5.156	0.375
18.00	11.779	3.187	0.938	4.625	0.781	5.156	0.375
21.00	16.031	3.750	1.188	6.500	0.938	6.500	0.500
24.00	16.031	3.750	1.188	6.500	0.938	6.500	0.500



2-Jaw Steel Body

Dia.	Order #	Avg Spindle Weight	Draw Bar Force
6.50	90206	26	1,700
8.25	90208	55	3,300
10.00	90210	92	6,000
12.00	90212	133	7,000
15.00	90215	218	10,000
18.00	90218	331	10,000
21.00	90221	570	10,000
24.00	90224	748	10,000

3-Jaw Steel Body

Dia.	Order #	Avg Spindle Weight	Draw Bar Force
6.50	80006	26	2,800
8.25	80008	55	5,000
10.00	80010	92	9,000
12.00	80012	133	10,500
15.00	80015	218	15,000
18.00	80018	331	15,000
21.00	80021	570	15,000
24.00	80024	748	15,000