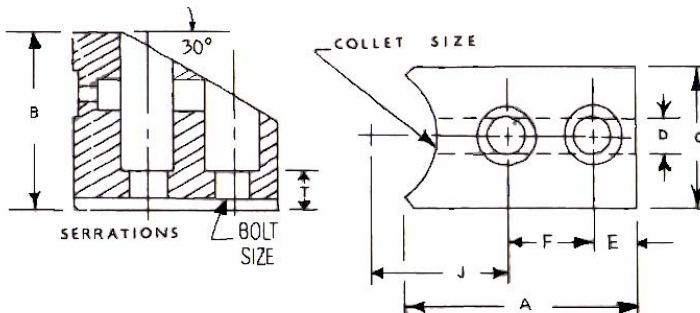




Collet Pad Top Jaws

- Other serrations & sizes available upon request



- #3 – 461 series W&S
- #4 – 1129 series W&S
- #5 – 471 series W&S
- #6 – 4669 series W&S

Chuck Size	Order #	"A" dimension from Warner Swasey				B	C	Critical Dimensions			Bolt Size
		#3	#4	#5	#6			D	E	F	
1.5 MM SERRATION											
6 Kitagawa	KCMCP06K1.5	2-1/4				2	1-1/4	0.475	0.400	0.787	0.400
8 Kitagawa	KCMCP08KM1.5	3-1/2	3-1/8			2-1/2	1-1/2	0.551	3/4	1.000	1/2
8 Matsumoto											
10 Howa Solid	KCMCP10H1.5	4-1/2	4-1/8	3.81	3-1/2	2-1/2	1-1/2	0.630	1.016	0.984	1/2
10 Kitagawa	KCMCP10/11KM1.5	4-1/2	4-1/8	3.81	3-1/2	2-1/2	1-1/2	0.630	13/16	1.187	1/2
11 Matsumoto											
10 Seike	KCMCP10S1.5	4-1/2	4-1/8	3.81	3-1/2	2	1-1/2	0.630	0.735	1.265	1/2
12 Kitagawa	KCMCP12KM1.5		4-1/2	4	3-3/4	2-1/2	2	0.710	13/16	1.187	5/8
12 Matsumoto											
12 Howa	KCMCP12H1.5			4-3/4	4-1/4	3	2-1/2	1.022	0.782	1.968	3/4
15 Kitagawa	KCMCP15K1.5				4-7/8	3-1/2	2-1/2	0.866	1	1.690	3/4